

PINTEK

PL-50pro 50Ω FEED-THROUGH

★★★ *High Performance Model* ★★★



Model: PL-50pro

★ **Best VSWR < 1.1 (DC~1GHz)**

Specification:

Impedance: 50Ω

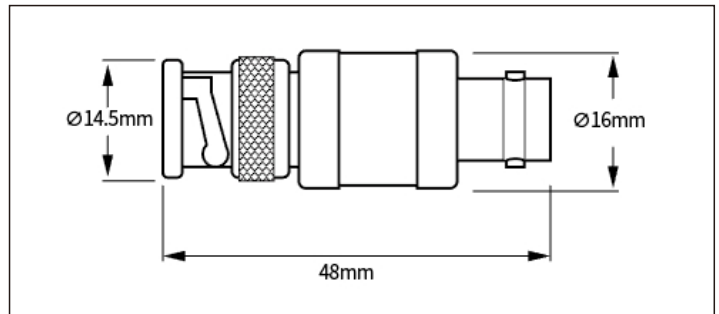
Accuracy: ±1%

Input Voltage: ≤ 10V DC or 20Vp-p AC

Dimension: 48mm(L) x Ø 16mm(D)

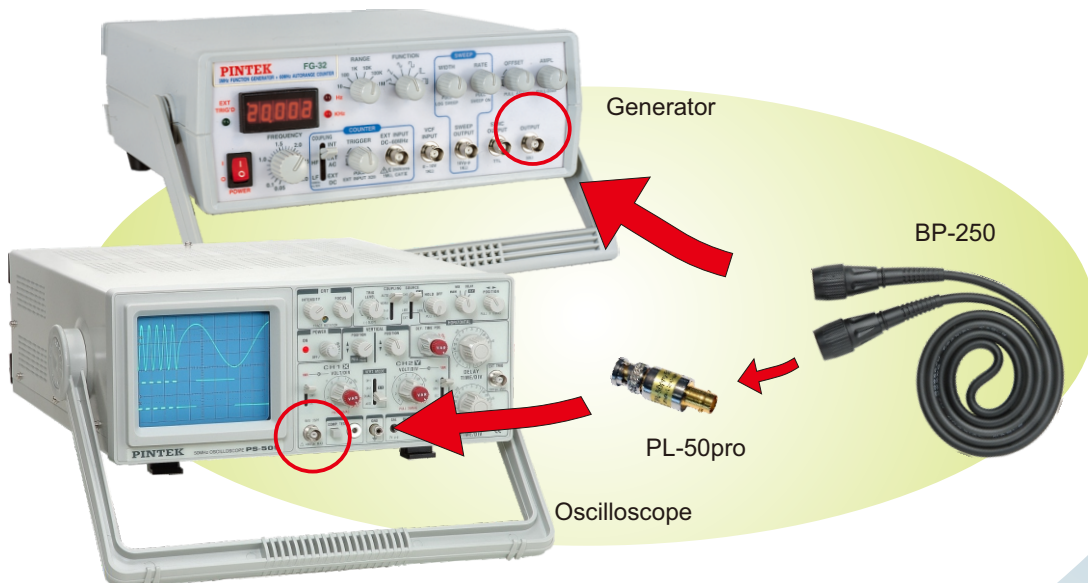
VSWR: < 1.05(DC~500MHz)

< 1.1(DC~1GHz)



Application:

Connect to the input BNC of the oscilloscope will give you the best effective to reduce the overshoot and ringing of the input square wave.



PINTEK

Pintek Electronics Co., Ltd